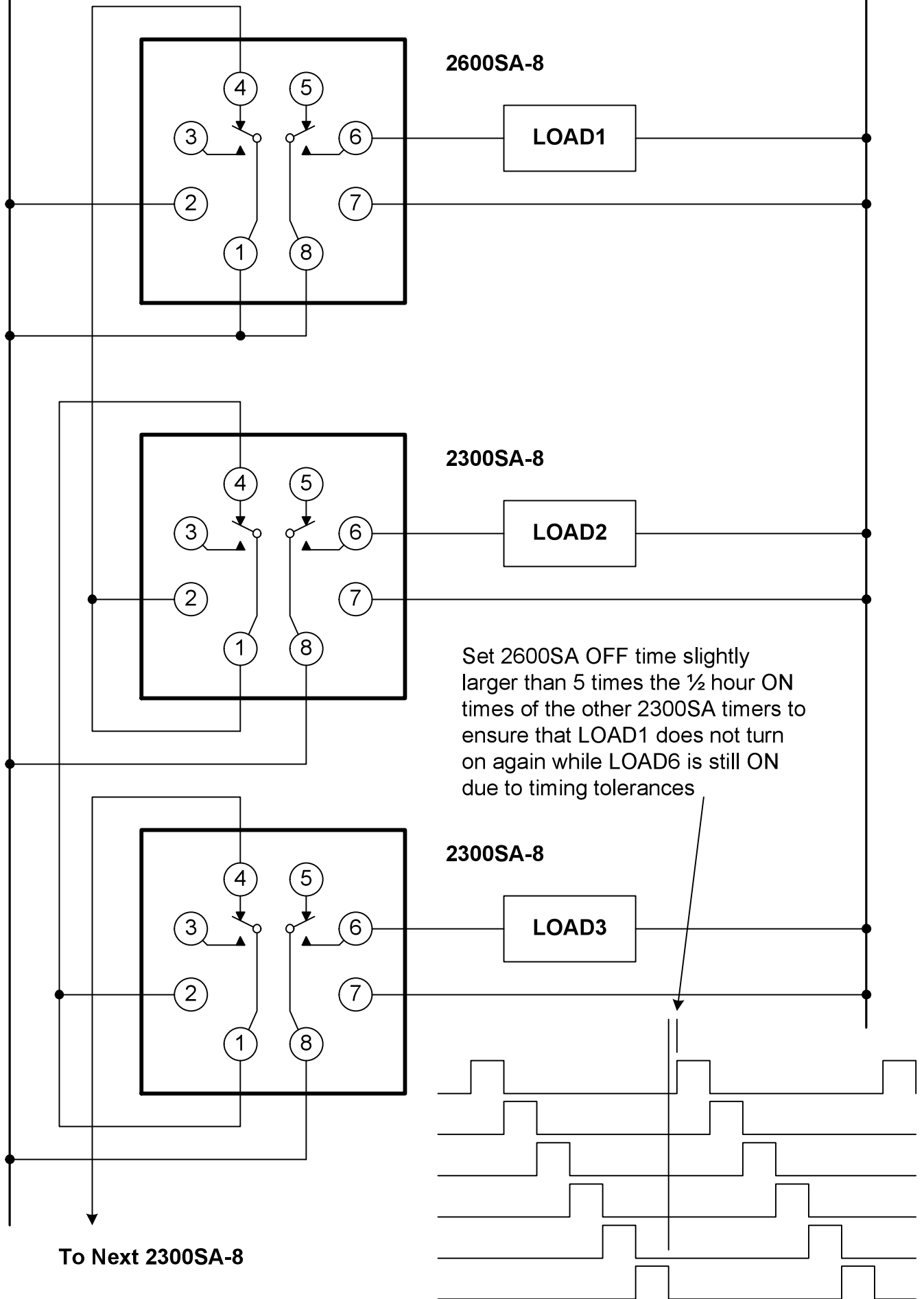


HOT

120VAC

NEU



2600SA-8

LOAD1

2300SA-8

LOAD2

Set 2600SA OFF time slightly larger than 5 times the 1/2 hour ON times of the other 2300SA timers to ensure that LOAD1 does not turn on again while LOAD2 is still ON due to timing tolerances

2300SA-8

LOAD3

To Next 2300SA-8